

RIGID • IMC

Universal Super Fitting™ 3 Piece Coupling



Applications

- Used to join two lengths of conduit; couples conduit when conduit cannot be turned
- Threaded GRC/IMC to Threaded GRC/IMC
- Threaded GRC/IMC to Unthreaded GRC/IMC
- Threaded GRC/IMC to Thin Wall EMT
- Threaded GRC/IMC to PVC
- UL Concrete-tight

Features

- Ease of installation/Quick-connect
- Universal connecting - Threaded to Threaded, Threaded to Unthreaded
- No more turning Pipe
- Self Pipe Alignment
- Eliminates field threading
- Fit GRC/IMC/EMT (Fits all UL approved metal Pipe)
- Fit PVC Schedule 40 and Schedule 80
- 40 to 50% less weight

Standard Materials

Steel

Standard Finish

Zinc Plated

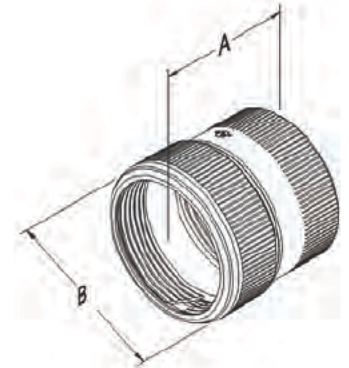
Applicable Third Party Standards

- UL us listed UL 514B; C22.2 No. 18.3-12
- UL Listed File # E207875

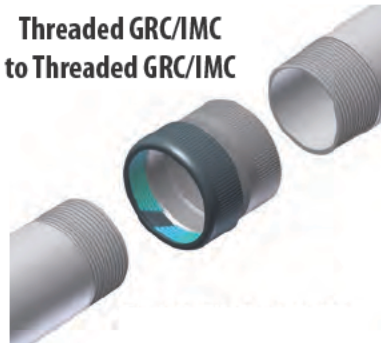
U.S. Patent No. 8.586.881



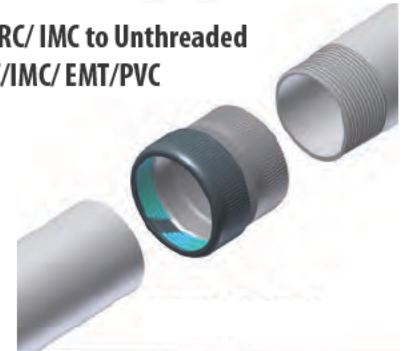
*No disassembly required!
Just insert and tighten.*



Threaded GRC/IMC
to Threaded GRC/IMC



Threaded GRC/IMC to Unthreaded
GRC/IMC/ EMT/PVC



CATALOG NUMBER	REPLACES PART NUMBER	TRADE SIZE	DIM A	DIM B	INNER PACK	MASTER PACK	WEIGHT PER UNIT (lbs)
SEC50KON*	EC50KON	½"	1.56	1.25	25	100	0.20
SEC75KON*	EC75KON	¾"	1.62	1.45	25	100	0.23
SEC100KON*	EC100KON	1"	1.96	1.71	10	50	0.36
SEC125KON*	EC125KON	1 ¼"	2.08	2.07	5	25	0.46
SEC150KON*	EC150KON	1 ½"	2.12	2.32	5	25	0.55
SEC200KON*	EC200KON	2"	2.19	2.80	2	10	0.70
SEC250KON**	EC250KON	2 ½"	3.19	3.45	2	2	1.70
SEC300KON**	EC300KON	3"	3.31	4.08	1	1	2.10
SEC350KON**	EC350KON	3 ½"	3.55	4.59	1	1	2.70
SEC400KON**	EC400KON	4"	3.92	5.24	1	1	3.70
SEC500KON*	EC500KON	5"	5.38	6.25	1	1	5.38

* Use with Rigid & IMC

** Use with Rigid, IMC, EMT & PVC